

Fact Sheet

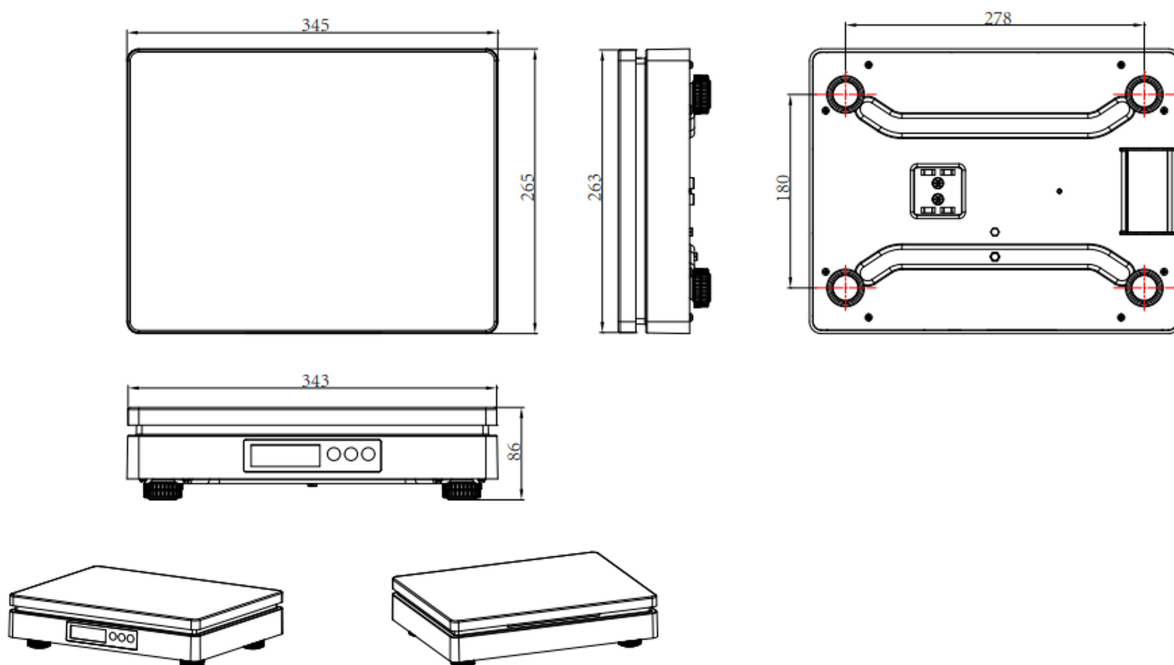
E3 basic

BIZERBA

The E3 basic mobile scale is able to connect via Bluetooth to mobile devices such as tablets or smartphones for easy data exchange. It is suitable for various use cases such as inventory, online order picking, Supersmart weight sampling and simple weight control.

Maximum capacity	3 kg/6 kg	6 kg/15 kg	15 kg/30 kg
Minimum capacity	20 g	40 g	100 g
Readability	1 g/2 g	2 g/5 g	5 g/10 g
Max. divisions	2 x 3000e		
Weighing units	kg		
Display	15 mm digits LCD Display with white LED back Light		
Platter size	343 x 263 mm		
Platter material	Stainless steel		
Interfaces	RJ11 port as RS232 Output Bluetooth 5.0		
Operating temperature	-10 °C to +40 °C		
Storage temperature	-20 °C to +60 °C		
Battery life (not included, separate order via Bizerba Service)	Approx. 50 hours with Bluetooth and backlight of continuous use Approx. 58 hours with Bluetooth or backlight of continuous use Approx. 70 hours without Bluetooth or backlight of continuous use		
Keypad	2 membrane buttons (TARE, ZERO/ON OFF)		
Dimensions (inch/mm)	345 (W) x 265 (D) x 86 (H)		
Net weight	4.4 kg		
Gross weight	5.0 kg		

Info graphic

Dimensional drawings

Bizerba SE & Co. KG

Wilhelm-Kraut-Straße 65
72336 Balingen
T +49 7433 12-0
F +49 7433 12-2696
marketing@bizerba.com
www.bizerba.com